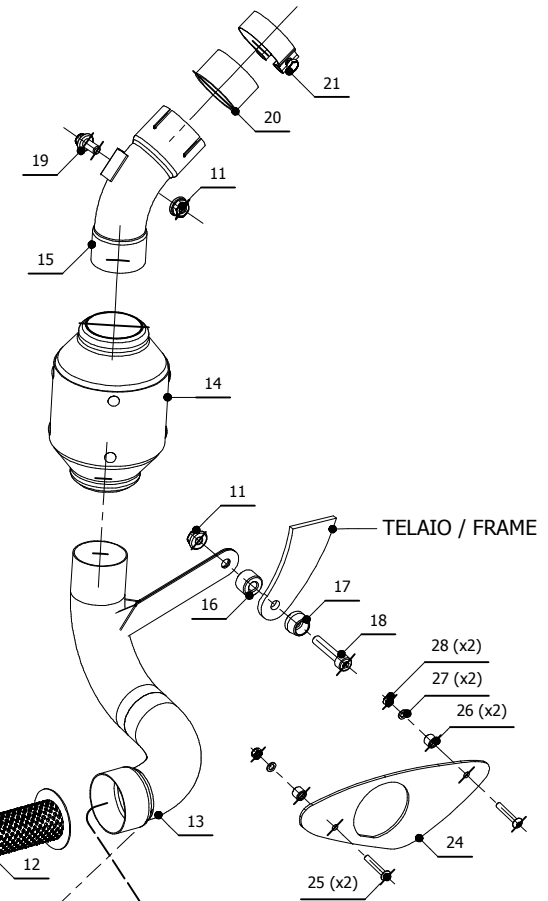
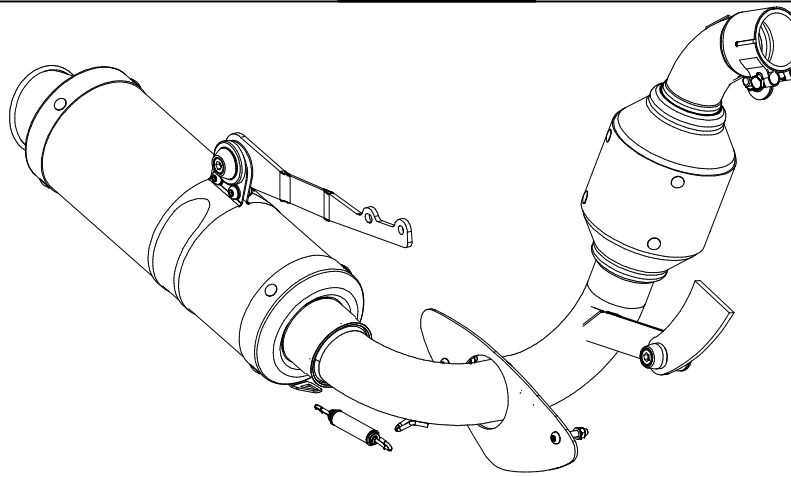


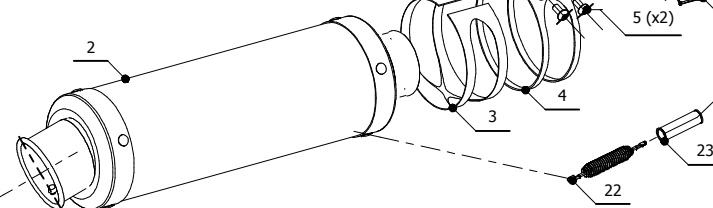
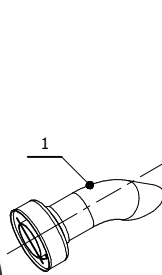
ELENCO PARTI / PARTS LIST

#	QTÀ / QTY	DESCRIZIONE / DESCRIPTION	CODICE / CODE
1	1	DB killer / DB killer	50.DK.020.0
2	1	Silenziatore / Muffler	GP
3	1	Protezione per staffa / Bracket protection	50.73.077.1
4	1	Staffa / Bracket	50.SS.241.1
5	2	Vite M6 x 12 / Screw M6 x 12	50.72.024.1
6	4	Rondella M6 / Washer M6	50.72.027.1
7	2	Dado M6 autobloccante / M6 locknut	50.73.112.1
8	1	Vite M8x25 / Screw M8x25	50.73.064.1
9	1	Rondella in alluminio / Aluminium washer	50.73.063.1
10	1	Staffa / Bracket	50.SS.876.0
11	3	Dado M8 flangiato / Flanged nut M8	50.73.393.1
12	1	Db Killer forato / Drilled DB killer	50.DK.082.0
13	1	Tubo di raccordo / Link pipe	9773KT01557B
14	1	Silenziatore / Muffler	9873KT009S2A
15	1	Tubo di raccordo / Link pipe	9773KT012S7A
16	1	Distanziale alluminio / Aluminium spacer (Øe.20 Øi.8,5 h.14)	50.SS.058.1
17	1	Rondella in alluminio / Aluminium washer	50.73.248.1
18	1	Vite M8x40 / Screw M8x40	50.73.075.1
19	1	Vite M8x16 / Screw M8x16	50.73.006.1
20	1	Guarnizione in grafite / Graphite bush	50.72.42.49.29
21	1	Fascetta Ø 48/51 mm / Pipe clamp Ø 48/51 mm	50.FA.007.1
22	1	Molla lunga / Long spring	50.71.080.1
23	1	Tubo in gomma per molla / Rubber pipe for spring	50.73.049.0
24	1	Copertura in alluminio / Aluminium cover	50.CR.023.0
25	2	Vite M5x30 / Screw M5x30	50.73.472.1
26	2	Distanziale in alluminio / Aluminium spacer (Øe.10 Øi.6 h.8)	50.73.759.1
27	2	Rondella M5 / Washer M5	50.73.351.1
28	2	Dado M5 / M5 nut	50.73.267.1



Fissare alla pompa freno con viti originali
Fix to the master cylinder with original screw

Catalytic Converter
Cod. ACC.037.A1
Optional for KT.015.LXS
Included in KT.015.KXS



APPLICAZIONI / APPLICATIONS

CODICE / CODE	TUBO / PIPE	SILENZIATORE / MUFFLER	FASCETTA / CLAMP	NOTE
74.KT.015.LXS	INOX / ST. STEEL	INOX / ST. STEEL	INOX / ST. STEEL	CATALYTIC CONVERTER NOT INCLUDED
74.KT.015.KXS	INOX / ST. STEEL	INOX / ST. STEEL	INOX / ST. STEEL	CATALYTIC CONVERTER INCLUDED